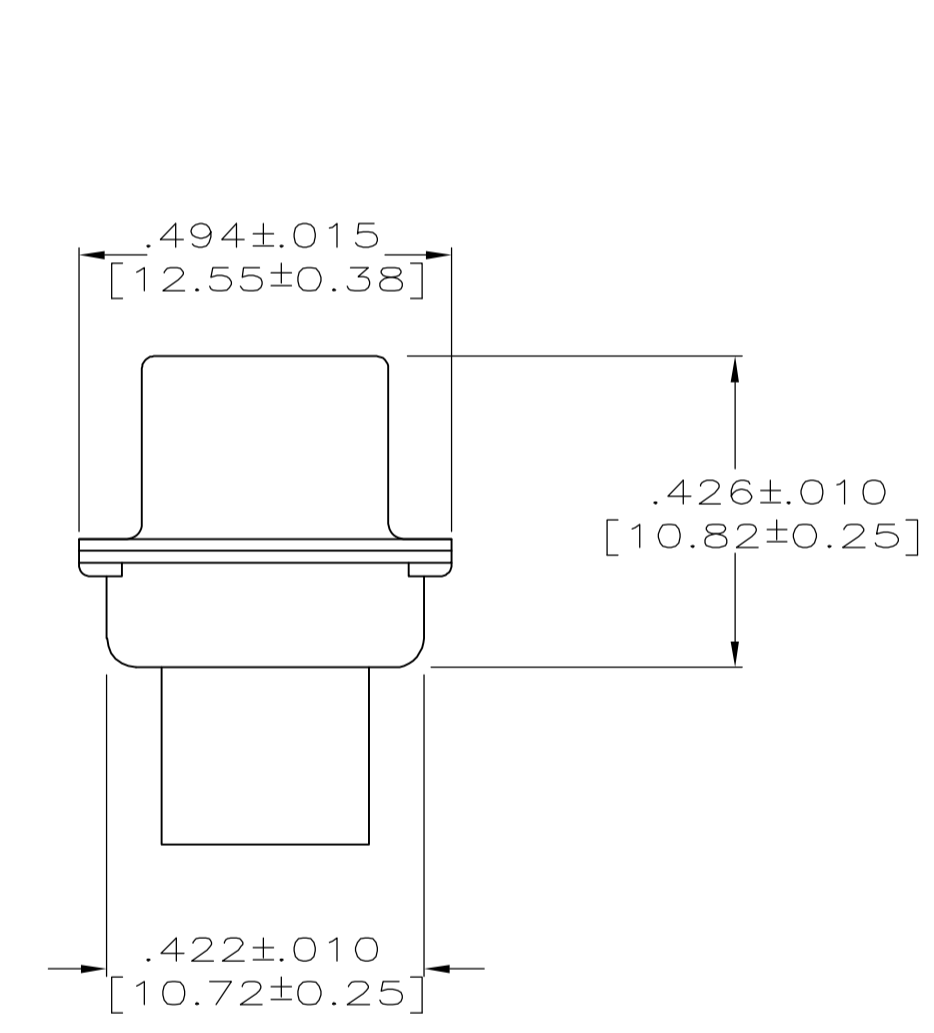
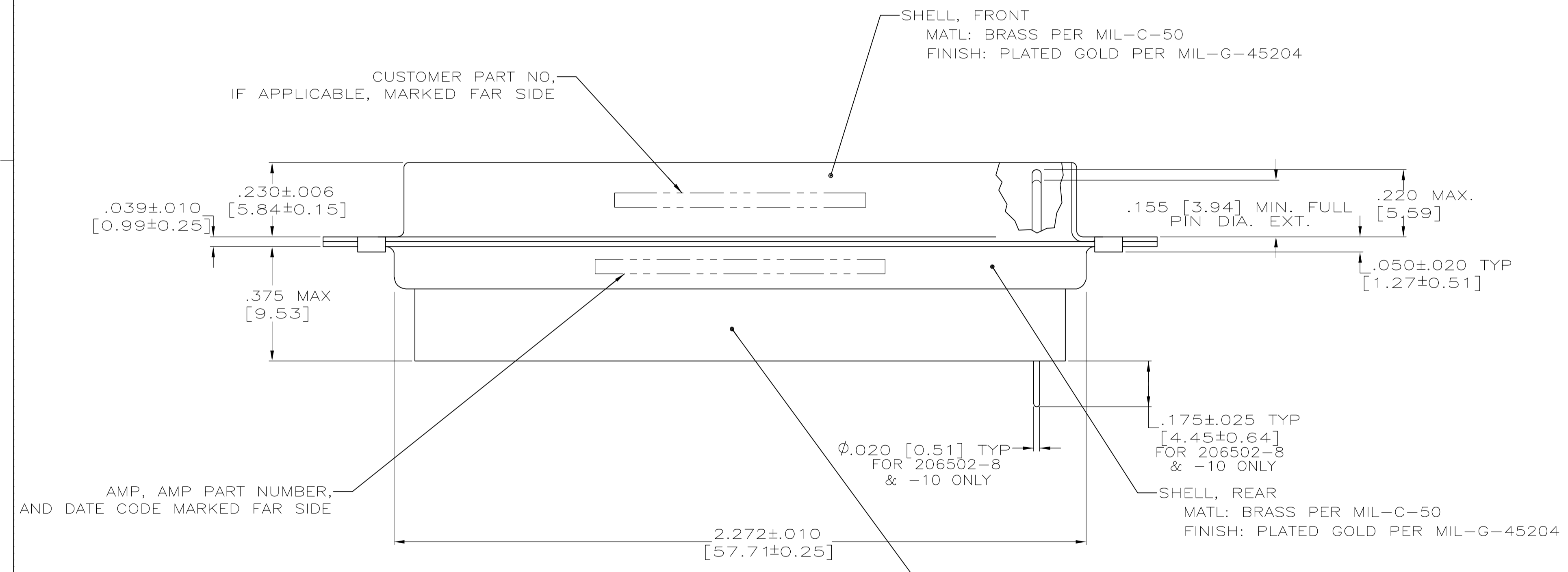


1. THIS PLUG WILL MATE WITH ANY RECEPTACLE CONNECTOR WITH THE SAME INSERT ARRANGEMENT AS DEFINED BY MS18276-2.
2. MAXIMUM WIRE INSULATION USED WITH THIS PLUG IS .054 [1.37] DIA.
3. Be-Cu RETENTION CLIPS ARE INCLUDED IN INSERTS.
4. INSPECTION REQUIREMENTS PER R4383.
5. CONNECTOR SUPPLIED WITH 69 CONTACTS, AMP PART NUMBER 204370-8. INSPECTION REQUIREMENTS PER R4383 WITHOUT TESTS FOR HIGH ALTITUDE DIELECTRIC WITHSTANDING VOLTAGE AS CALLED FOR IN TABLE II SCREENING AND TESTING.
6. UL/CSA DESIGNATION STAMPED IN THIS AREA, OPTIONAL.
7. CONNECTOR LOADED WITH POSTED CONTACTS. INSPECTION REQUIREMENTS PER GENERAL ELECTRIC DOCUMENT 20025720.
8. RESTRICTED TO CAE ELECTRONICS ONLY.
9. THESE CONNECTORS ARE QUALIFIED TO GODDARD SPACE FLIGHT CENTER SPECIFICATION S-311-P-4.
10. CONNECTOR LOADED WITH POSTED CONTACTS.



AMP PART NUMBER 204370-8
 GSFC PART NUMBER G-08-P1
 (SUPPLIED WITH 206502-6 ONLY)

10	.120 [3.05]	570566-10	1-206502-1	1-206502-1
9	.120 [3.05]	-	1-206502-0	1-206502-0
8	.120 [3.05]	311P407-4P-B-12	206502-4	206502-9
7	.120 [3.05]	20025720P2062P	206502-8	206502-8
6	.154 [3.91]	SC81D139-054	206502-7	206502-7
5	.120 [3.05]	R4383P62P	206502-6	206502-6
4	.120 [3.05]	R4383P62P-2	206502-5	206502-5
3	.120 [3.05]	311P407-4P-B-12	206502-4	206502-4
2	.154 [3.91]	----	206502-3	206502-3
1	.120 [3.05]	R9259P62P	206502-2	206502-2
	.154 [3.91]	311P407-4P-B-15	206502-1	206502-1
REMARKS	DIA A	CUSTOMER P/N ON CONNECTOR	AMP P/N ON CONNECTOR	AMP P/N

THIS DRAWING IS A CONTROLLED DOCUMENT.

DIMENSIONS: INCHES	TOLERANCES UNLESS OTHERWISE SPECIFIED:	DWN: M. CLOUSER 12-16-88	CHK: T. CANTLIN 12-16-88	APVD: F. BALLOW 12-16-88	NAME: AMP
0 PLC ± -	1 PLC ± -	2 PLC ± -	3 PLC ± .005 [0.13]	4 PLC ± -	ANGLES ± 0.30°
MATERIAL: SEE CALLOUTS	FINISH: SEE CALLOUTS	WEIGHT: -	SIZE: A1	DWG NO: 00779	REV: 206502
CUSTOMER DRAWING			SCALE: 4:1	SHEET: 1 OF 1	REV: U

AMPLIMITE NONMAGNETIC PLUG ASSEMBLY, SERIES 90, SHELL SIZE 4, 62 POSITION

Tyco Electronics Corporation
 Harrisburg, PA 17105-3608